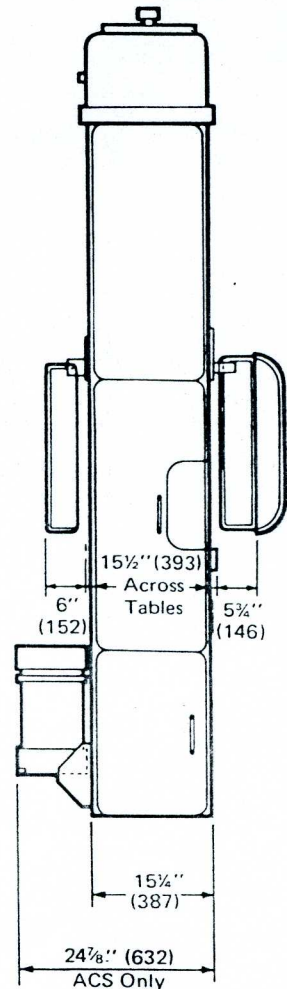
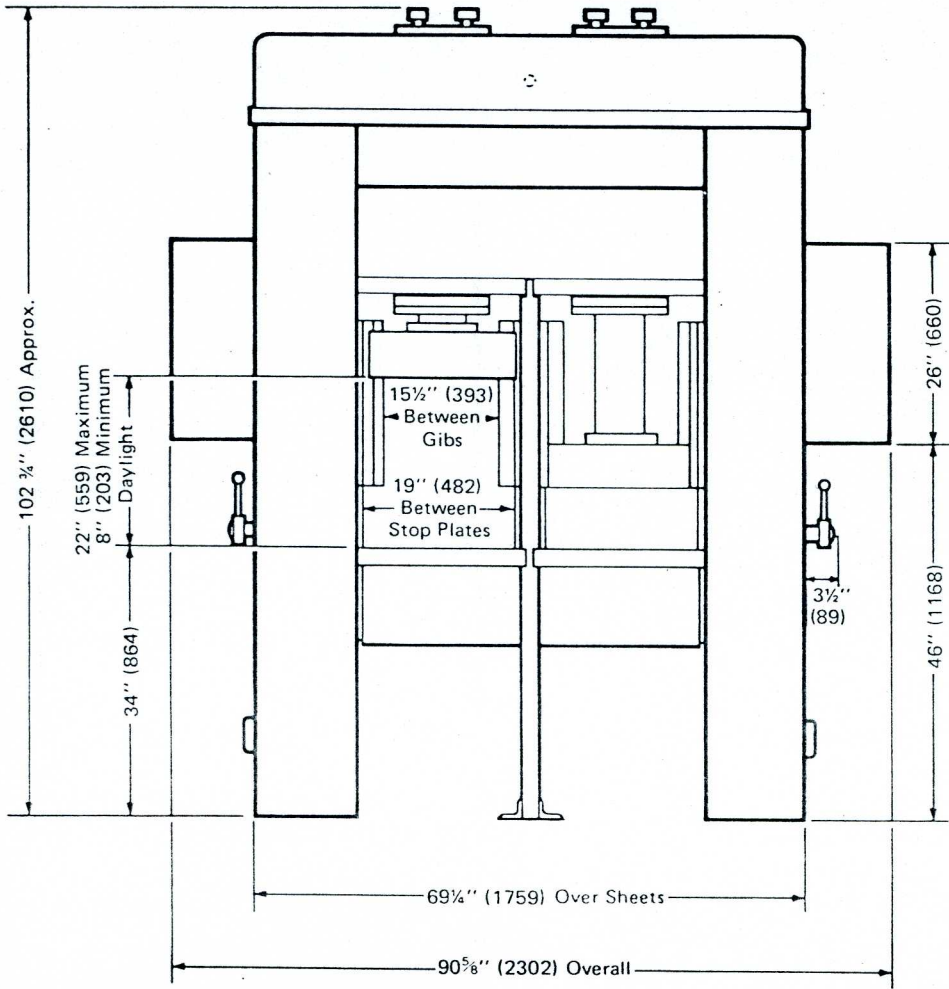


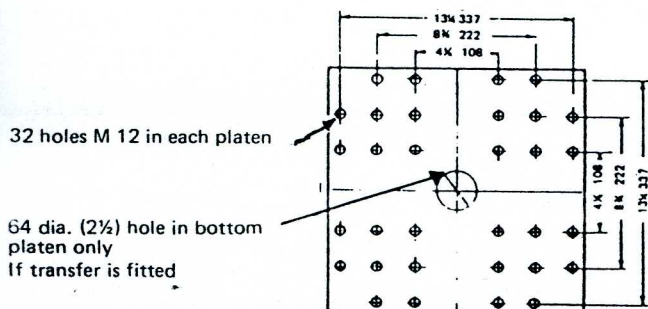
Twin 40 ton Compression Press



- Max table size left to right between gibs
- Max table size front to back
- Standard heated platen size (5.9 kVA per pair)
- Daylight between tables
- Daylight between heated platens
- Main ram stroke
- Hydraulic Circuit Pressure
- Max. pressing force (Main ram pressure intensified to 3000 psi)
- Main ram pull back force at circuit pressure
- Transfer ram force
- Transfer ram stroke
- Maximum pummel diameter
- Approximate weight of maximum shot (Based on 12g/in³)
- Ejection force (bottom ejectors)
- Ejector return force
- Ejector stroke (bottom)
- Total kVA self contained press.
- Weight of press. nett. semi-auto self contained

15.5 in	393 mm
15.5 in	393 mm
14 in x 14 in	355 mm x 355 mm
22 in	559 mm
13.9 in	353 mm
14 in	355 mm
1000 psi	68.97 Bars
40 ton	41.2 t
2.2 ton	2.2 t
12.6 ton	12.8 t
3 in	76 mm
2 in	50 mm
4 oz	113 g
1.5 ton	1.5t
1 ton	1 t
3.5 in	89 mm
21.3	21.3
3.15 ton	3454 Kg.

Dimension induction heated platens



Metric units are a direct conversion of nominal imperial values.

Information in this publication is to the best of our knowledge true and accurate but, because we are constantly seeking to improve our products, we reserve the right to change specifications at any time. This statement does not affect the statutory rights of a consumer.

BIPEL